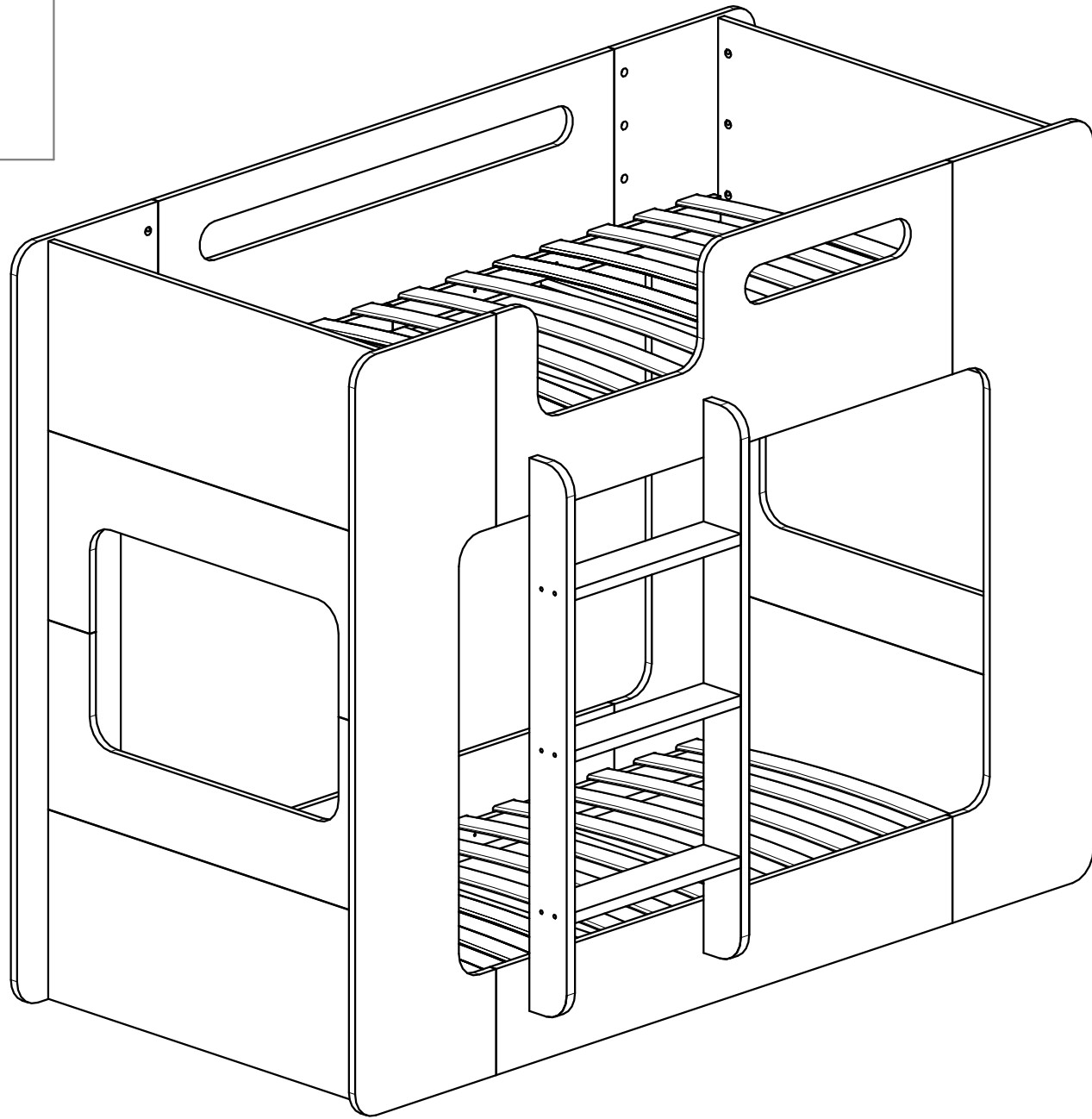
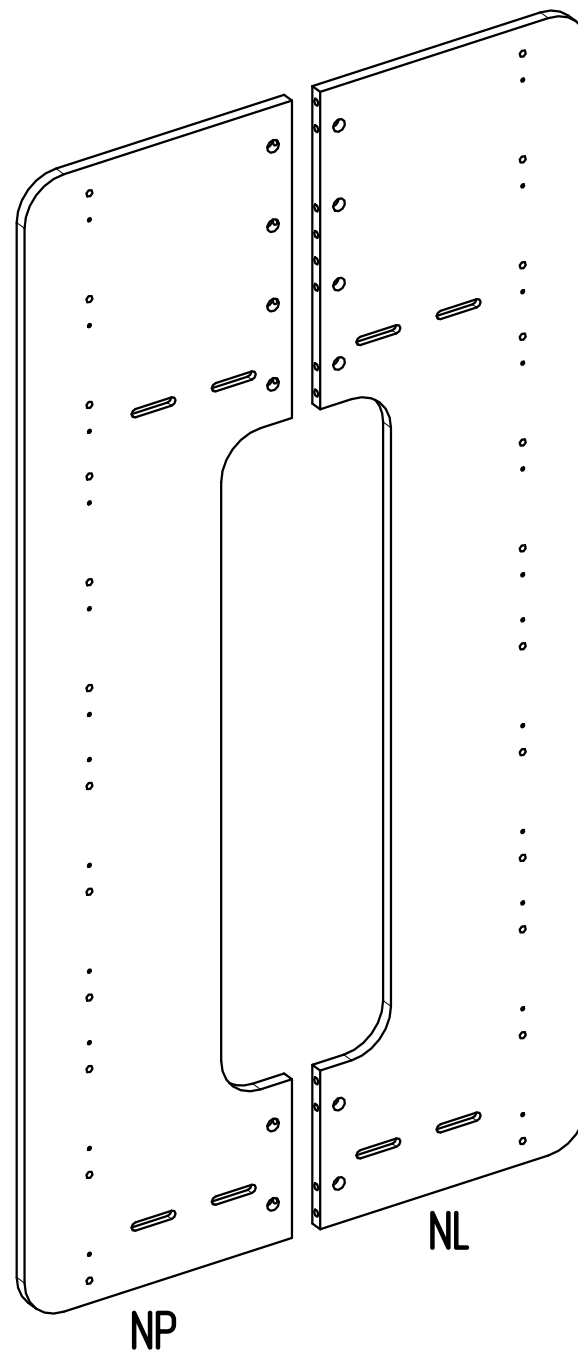
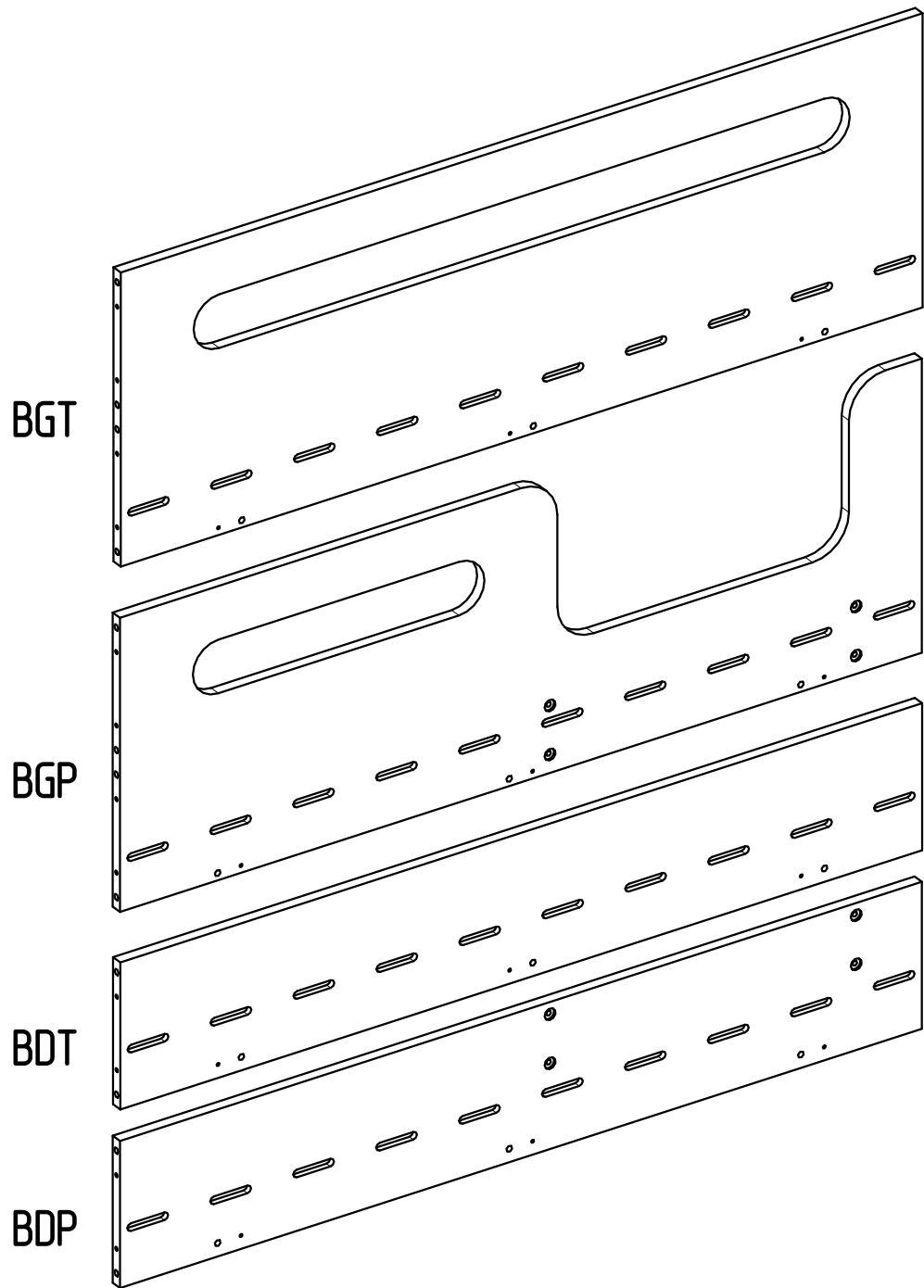


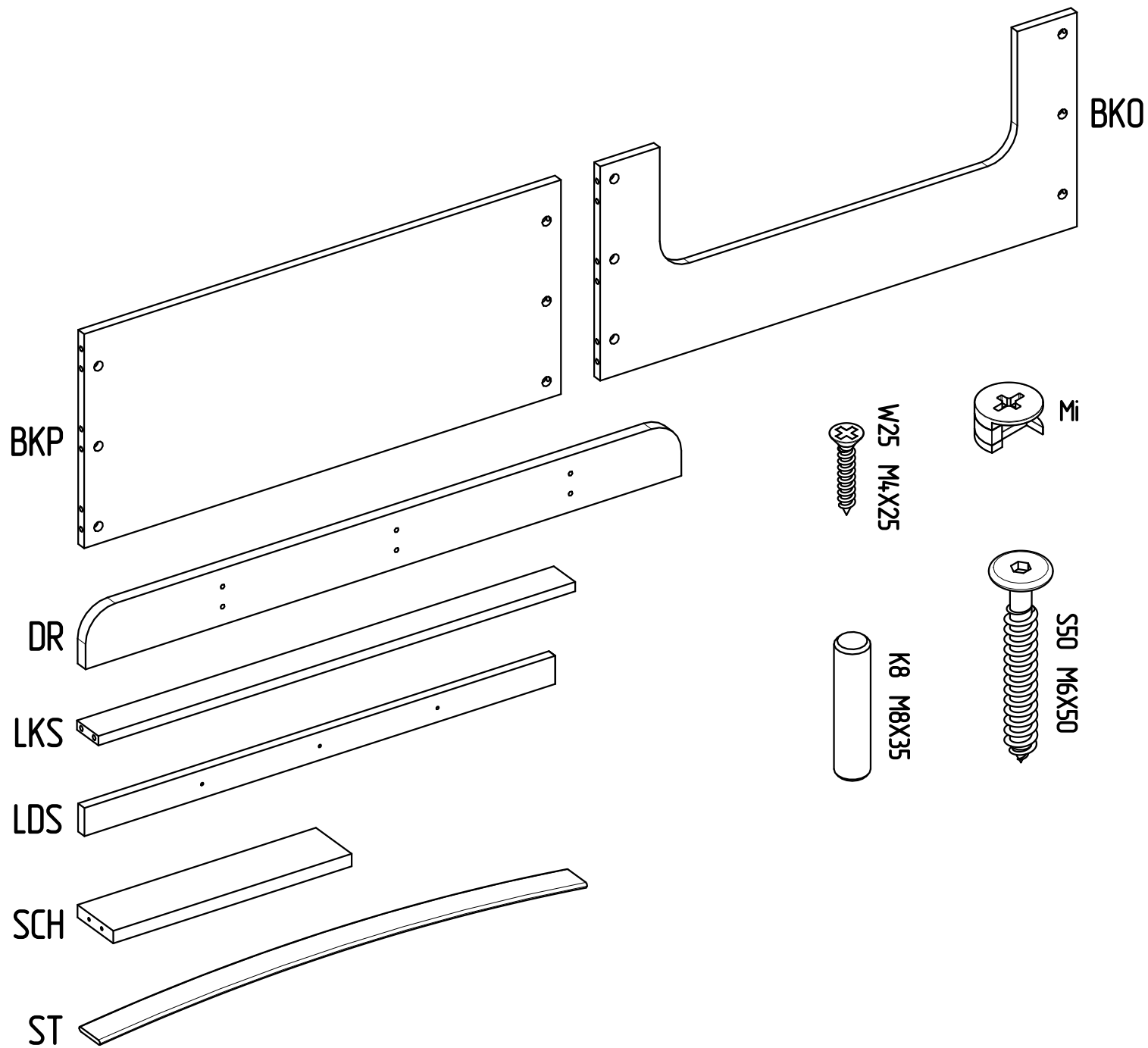
MIMI



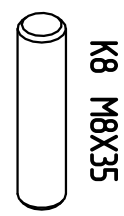
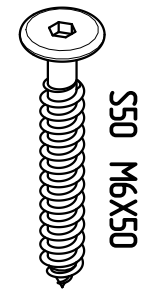
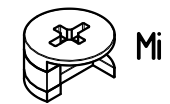


MIMI

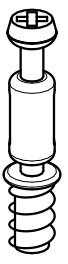
BGT	x1
BGP	x1
BDT	x1
BDP	x1
NP	x2
NL	x2



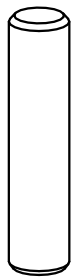
SCREWS	
Mi	x84
TRZ	x84
K8	x84
S50	x20
W25	x24



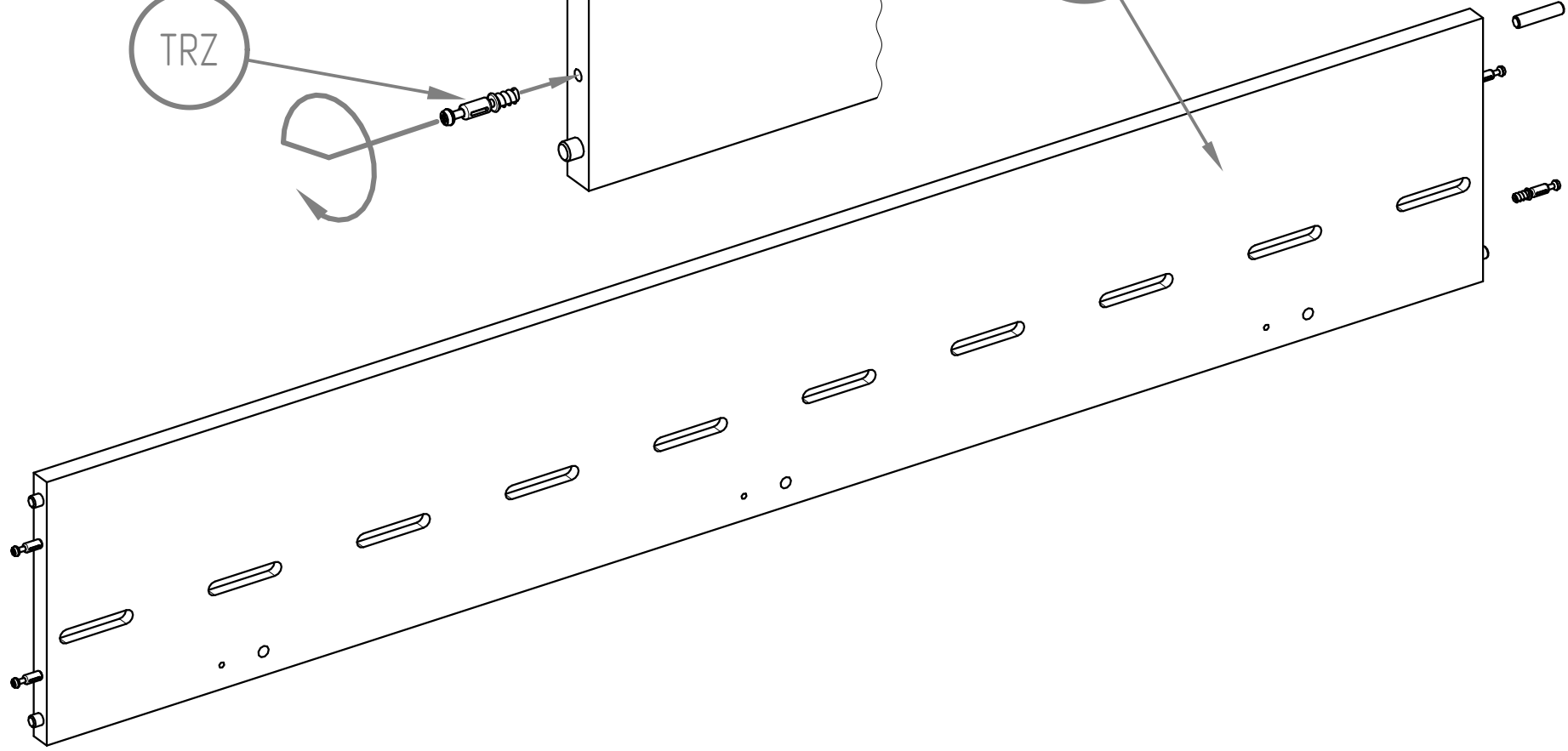
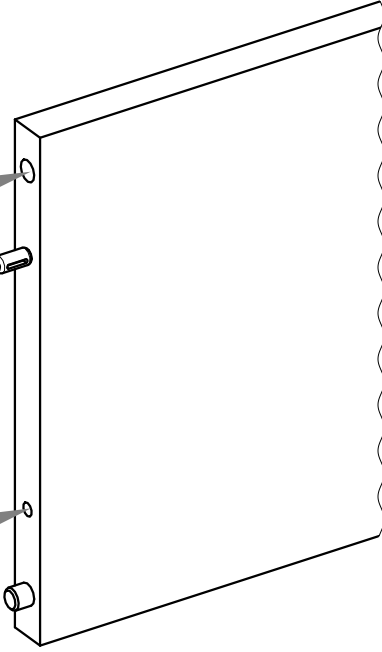
MIMI	
BKP	x4
BKO	x4
DR	x2
LKS	x6
LDS	x8
SCH	x3
ST	x24-32



TRZ M5x35

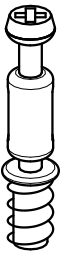


K8 M8x35





K8
M8x35

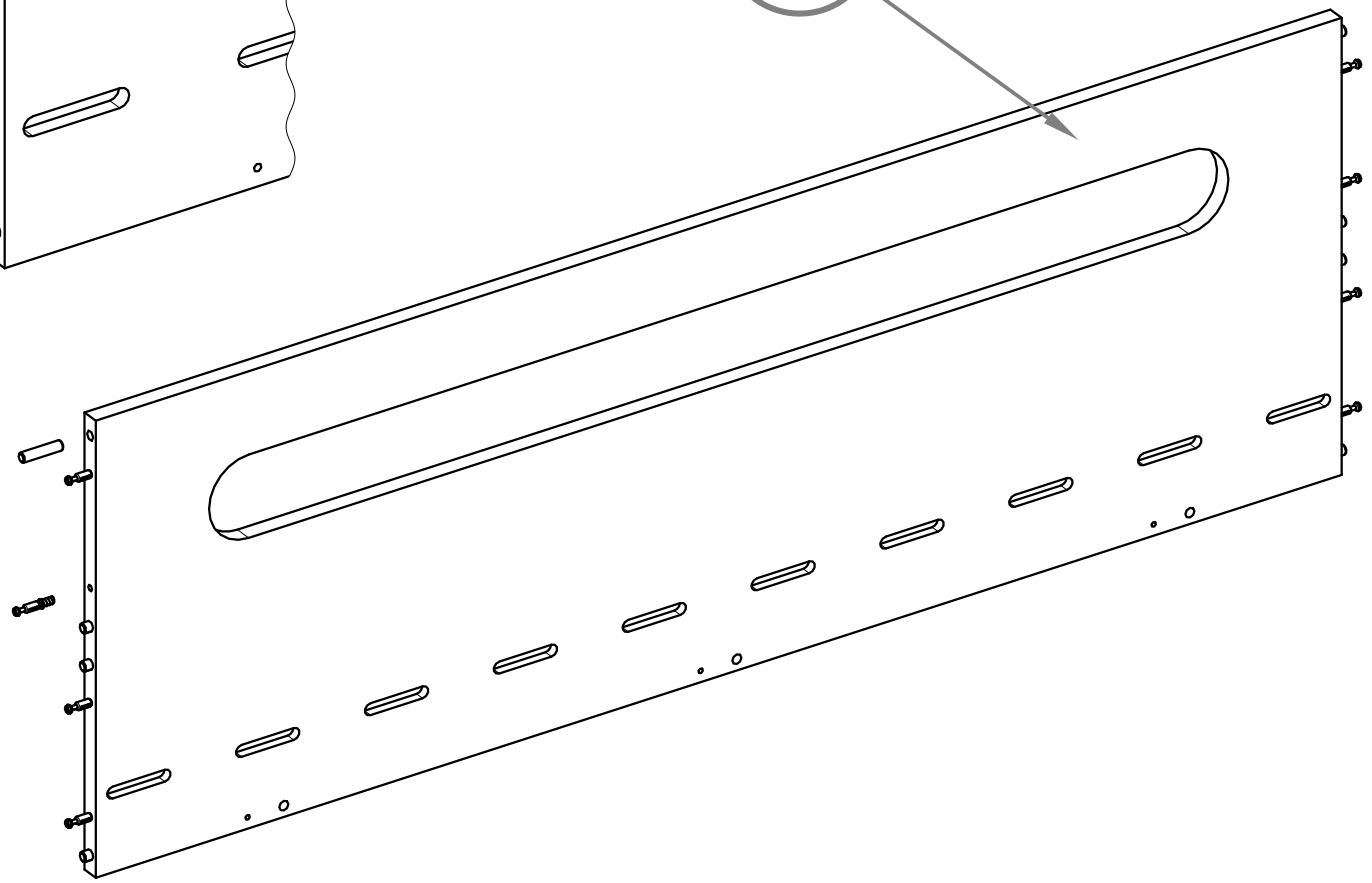
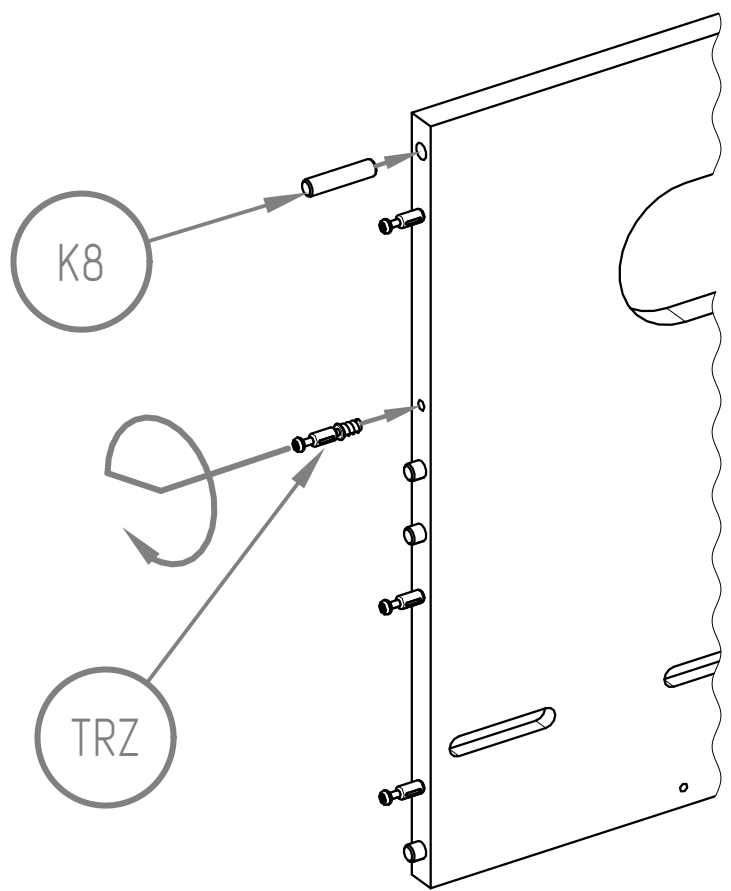


TRZ
M5x35

K8

TRZ

BGT

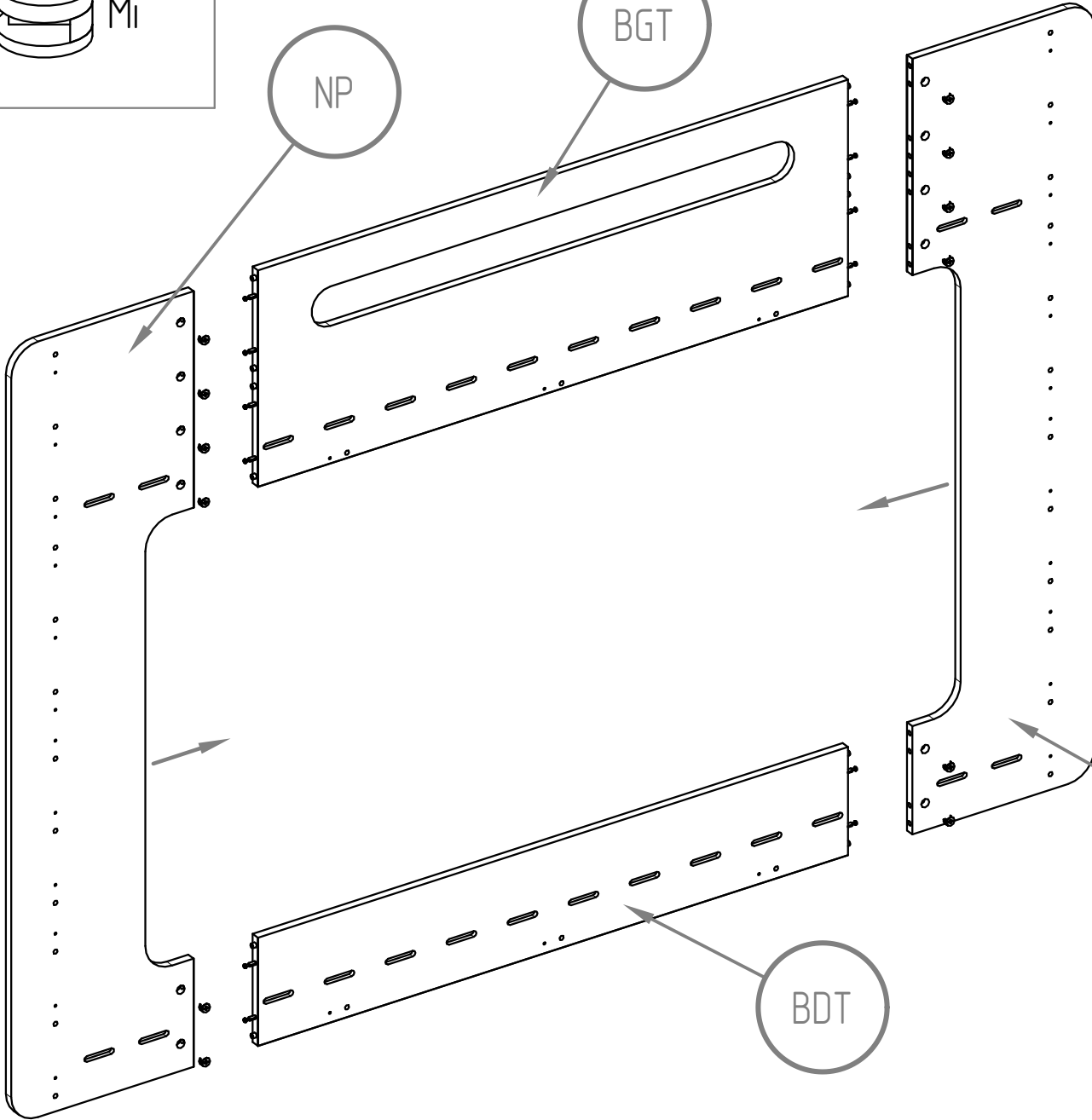




Mi

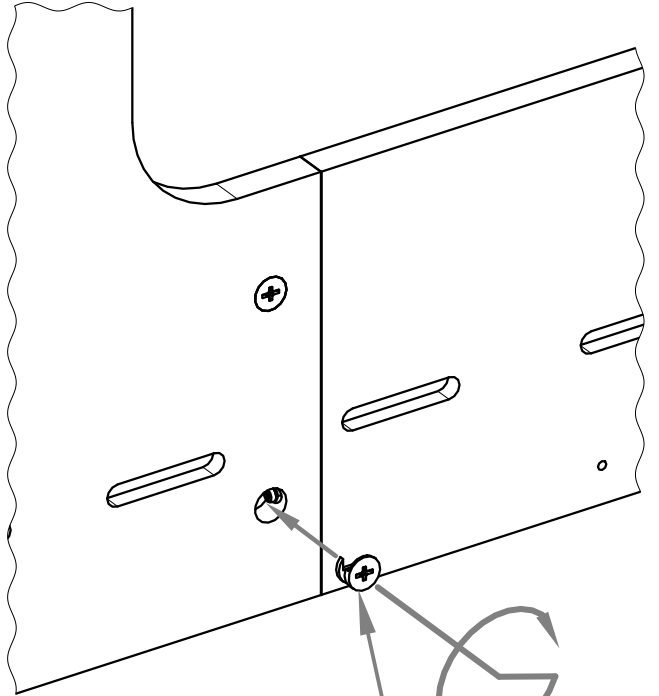
NP

BGT

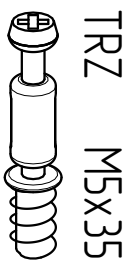


BDT

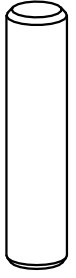
NL



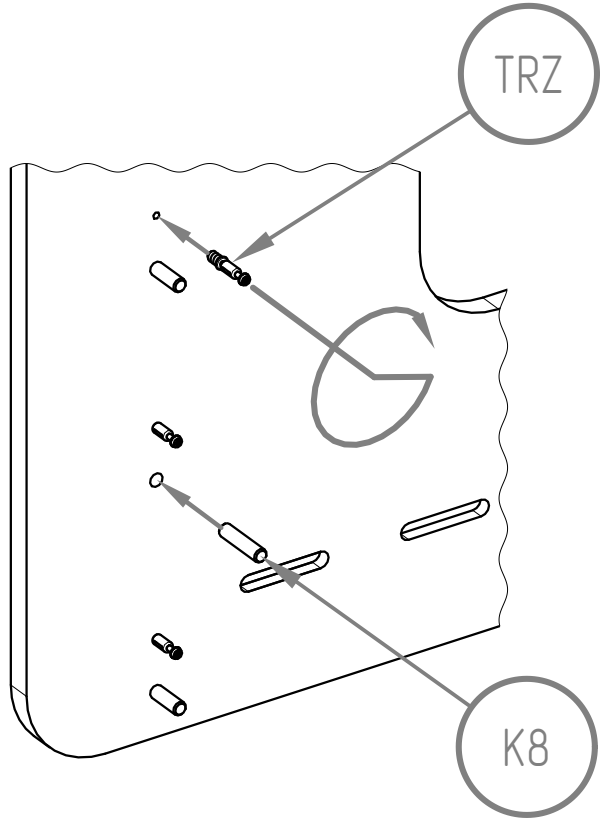
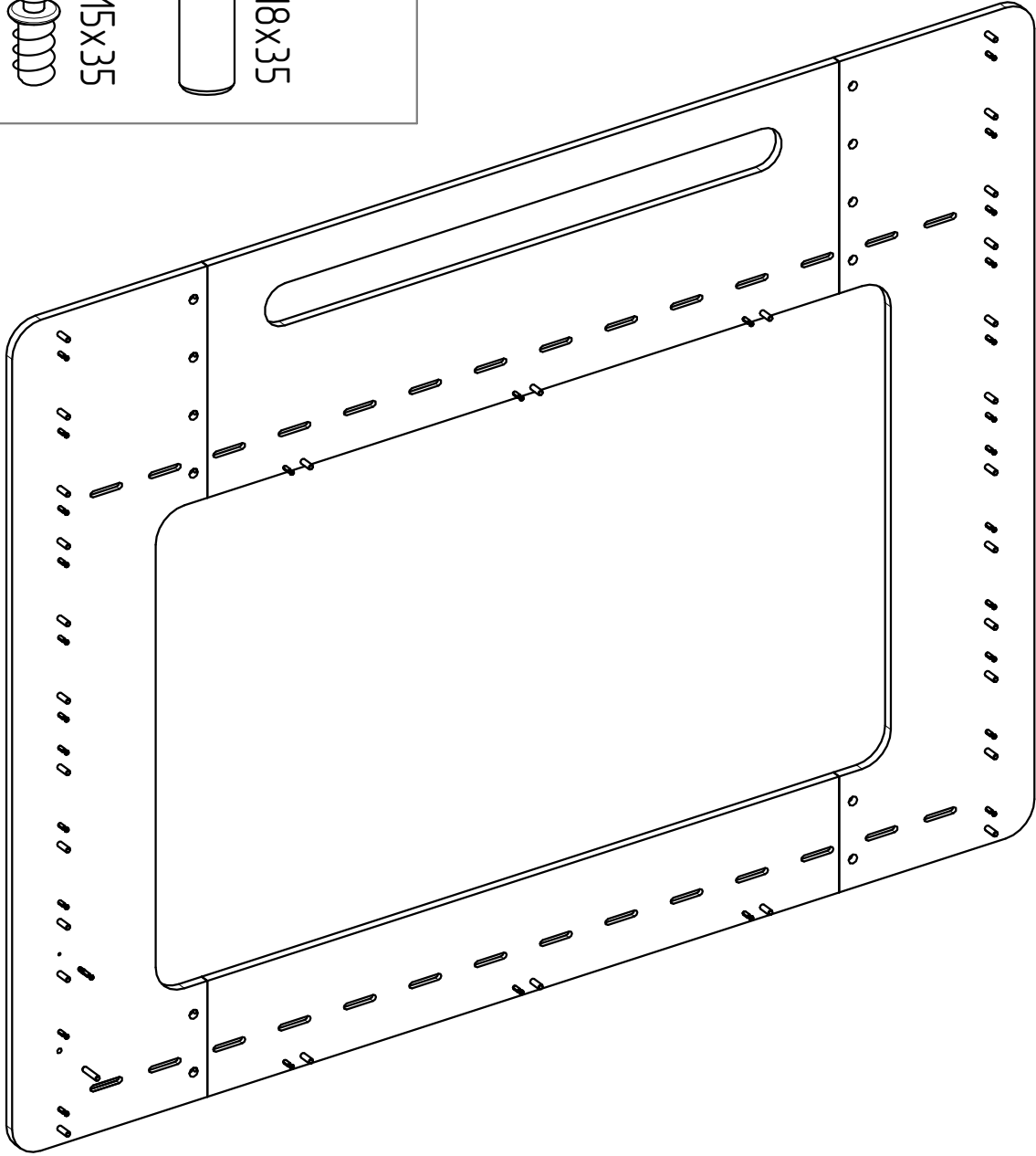
Mi

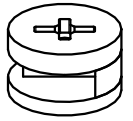


TRZ
M5X35

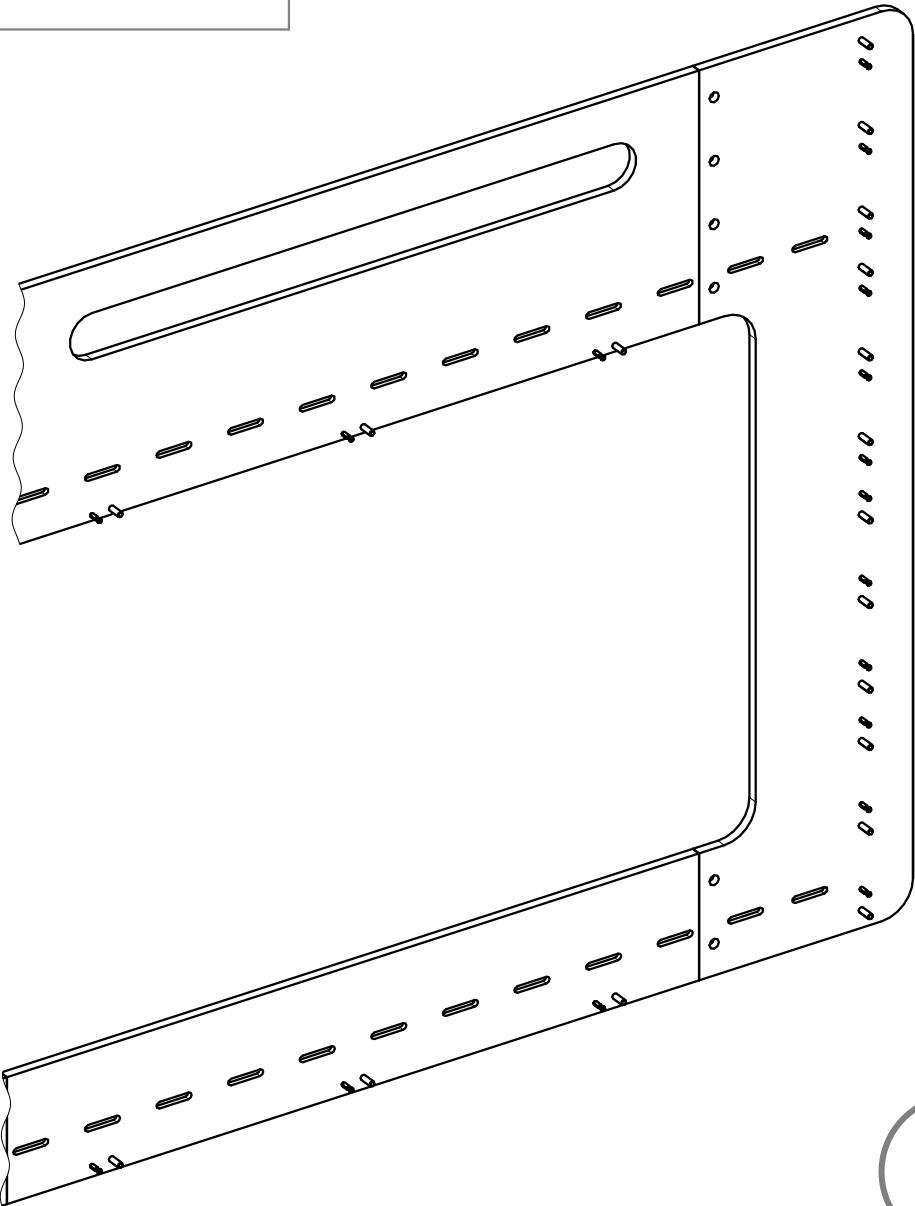


K8
M8X35





Mi

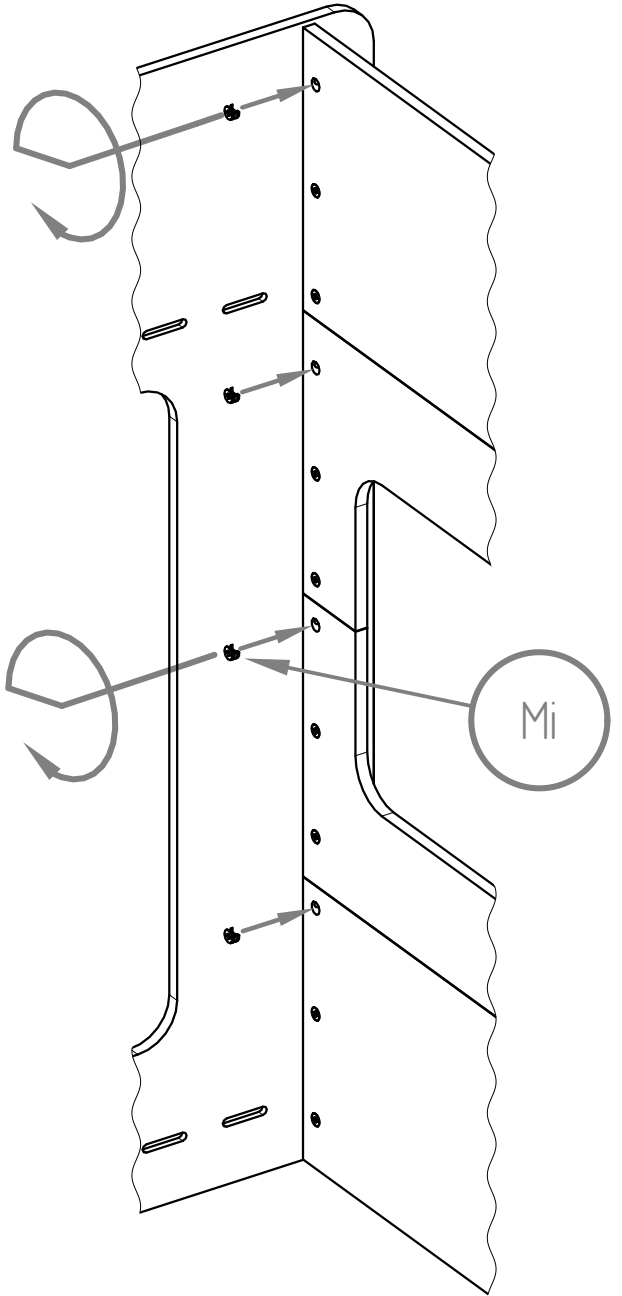


BKP

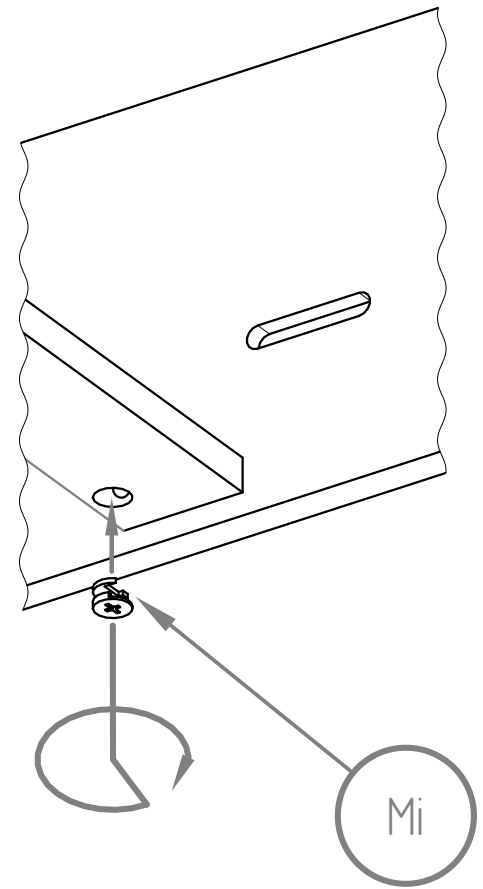
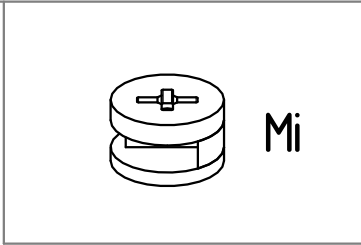
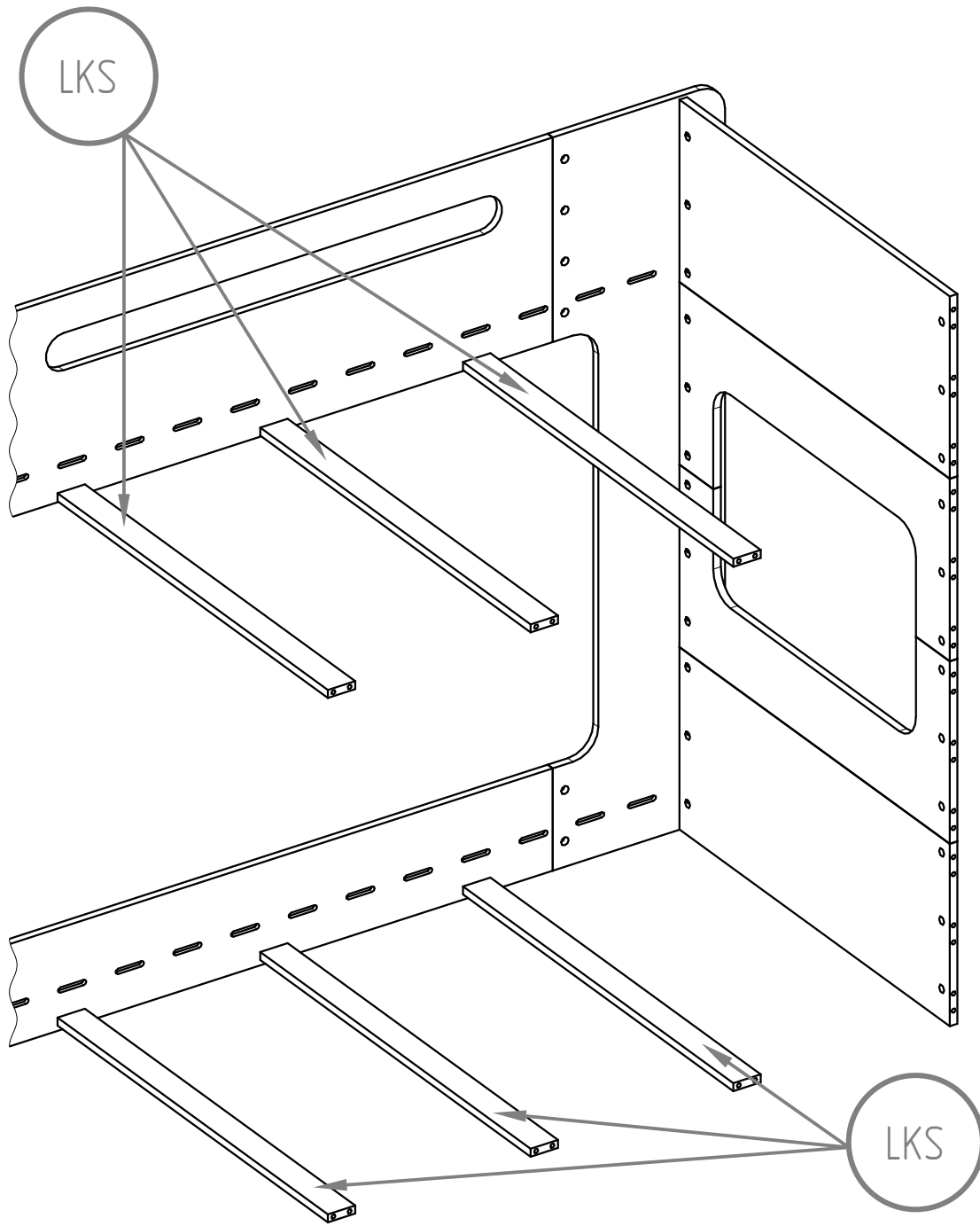
BKP

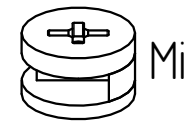
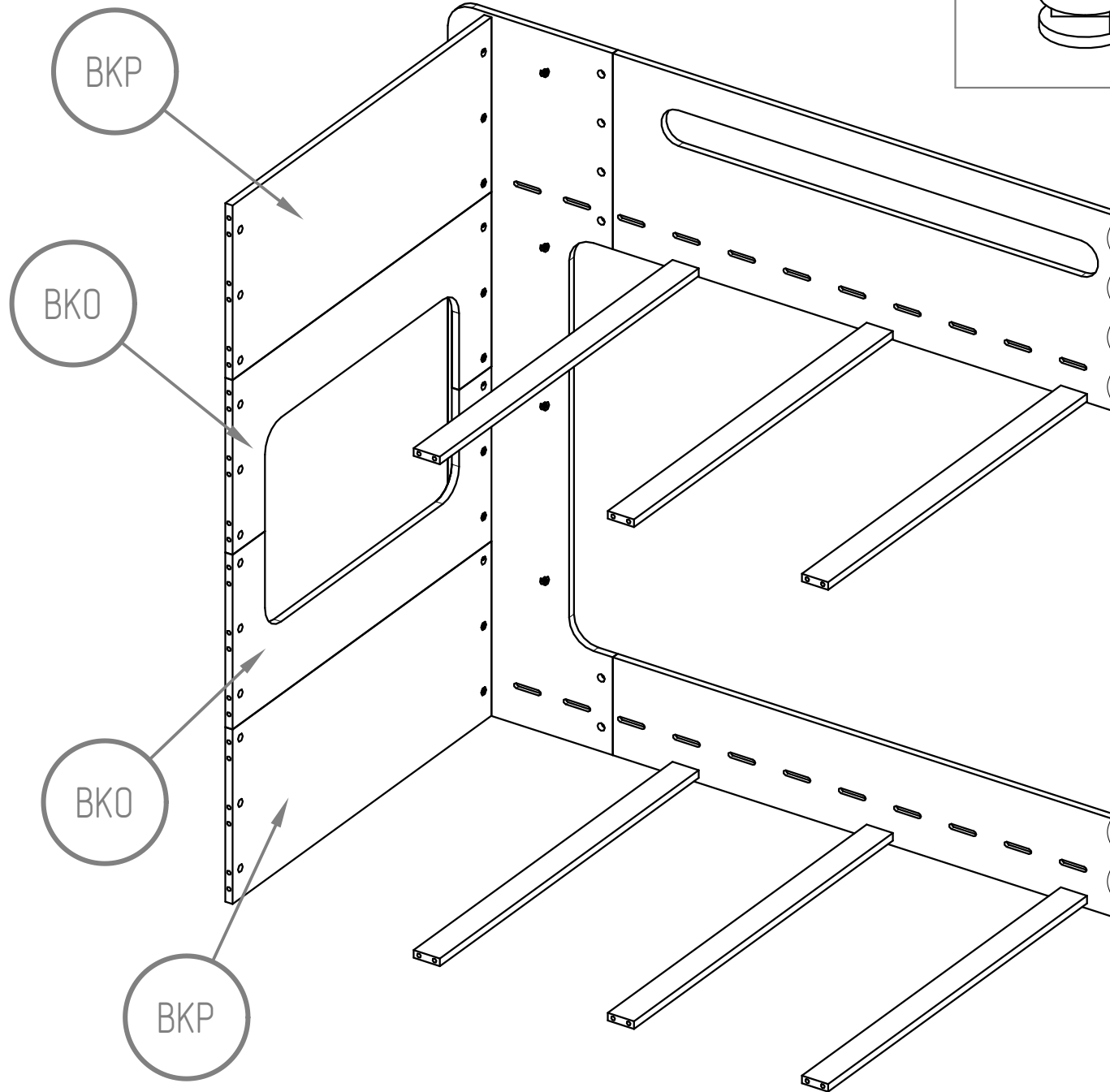
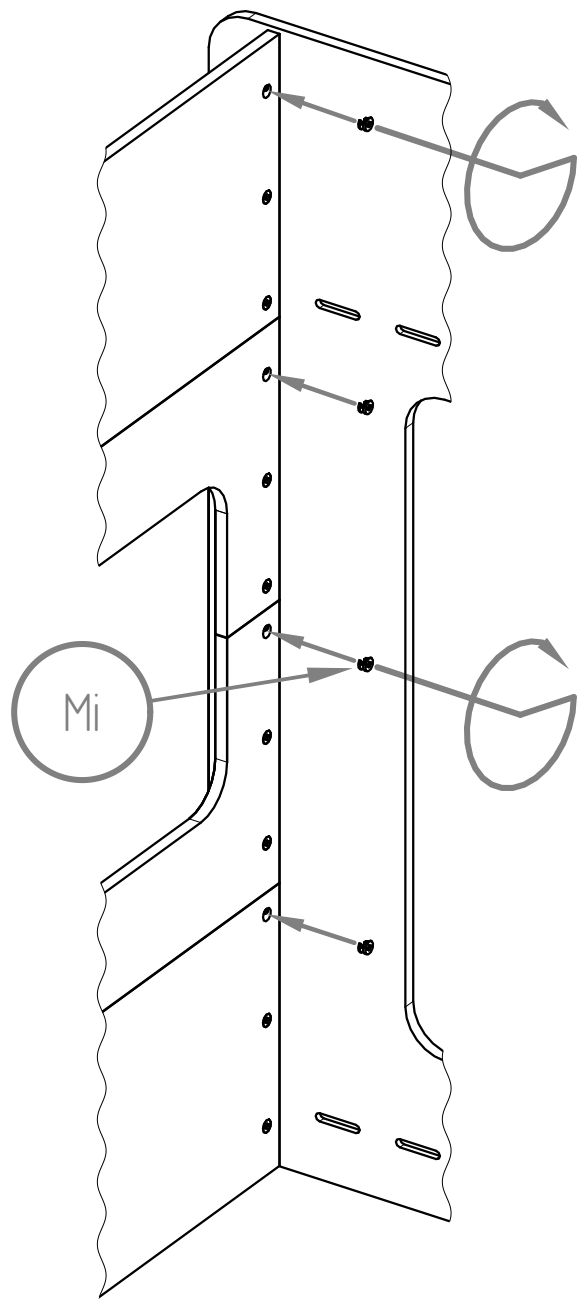
BKO

BKO



Mi

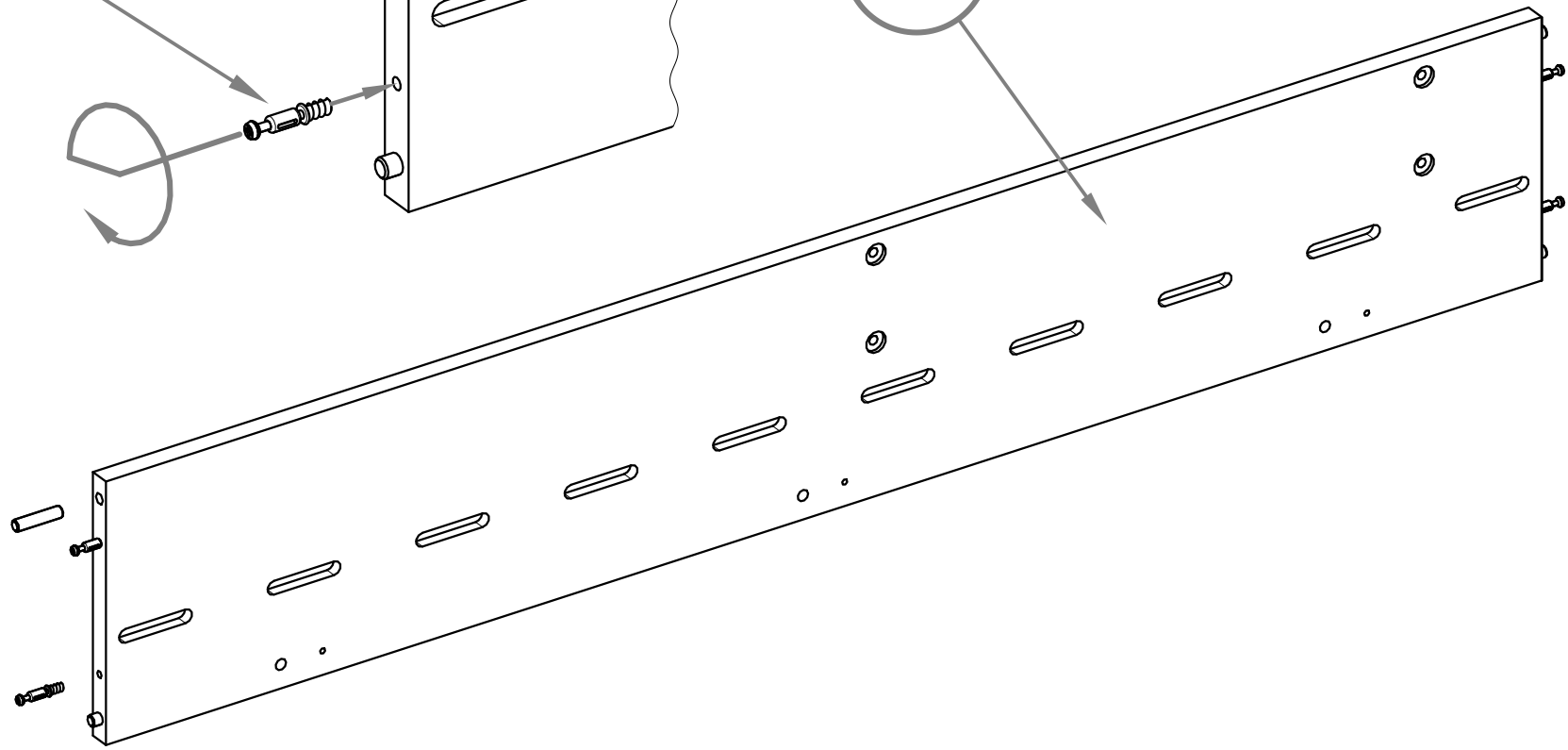
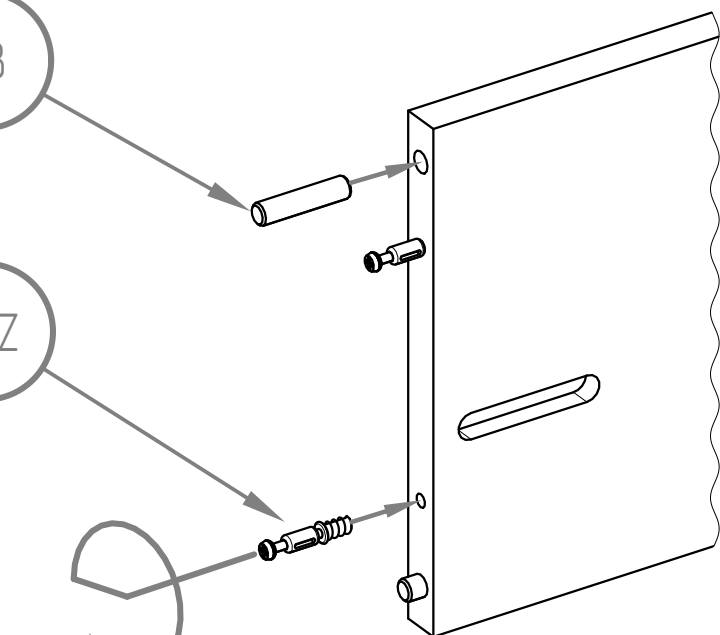




K8

TRZ

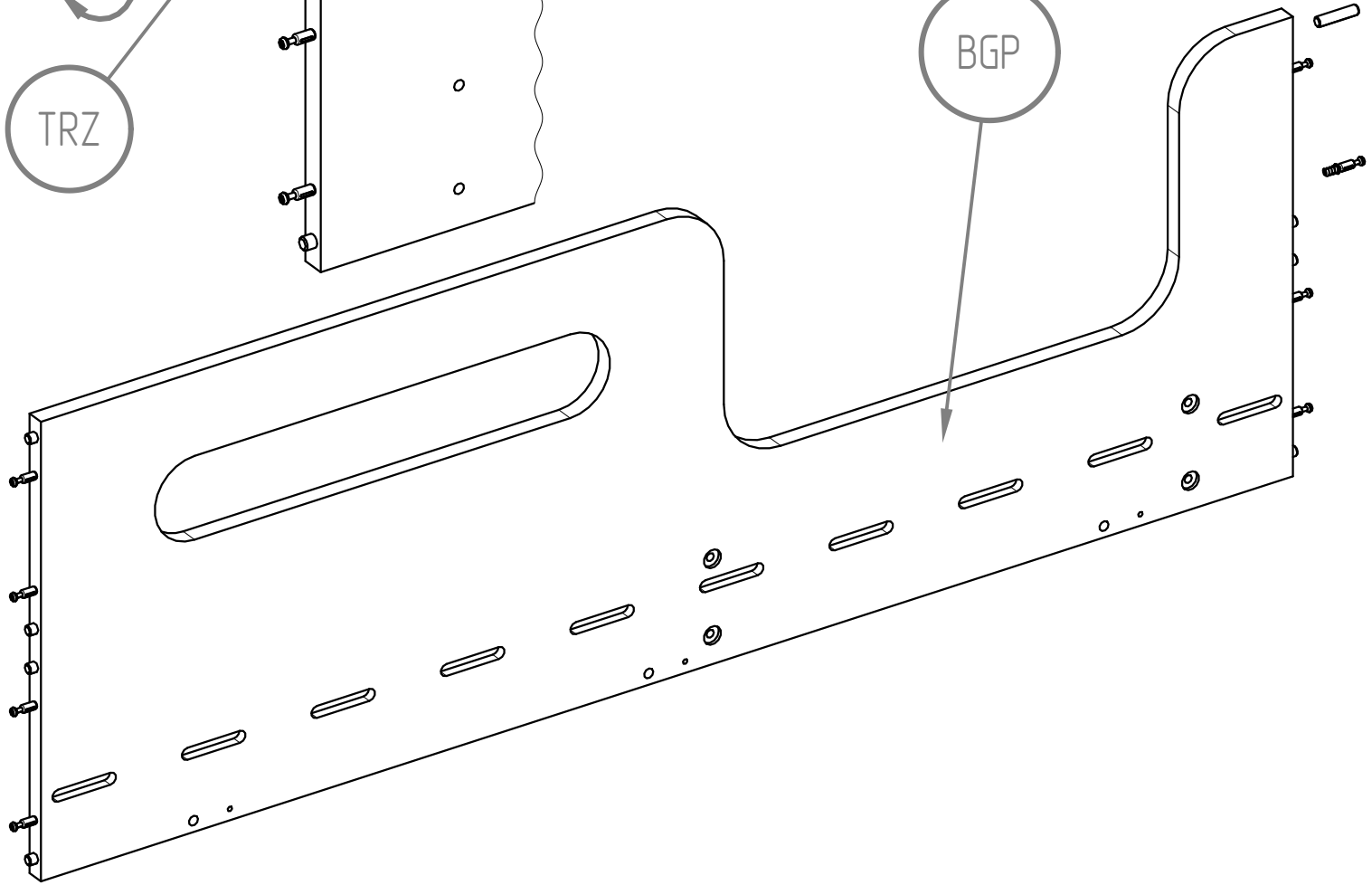
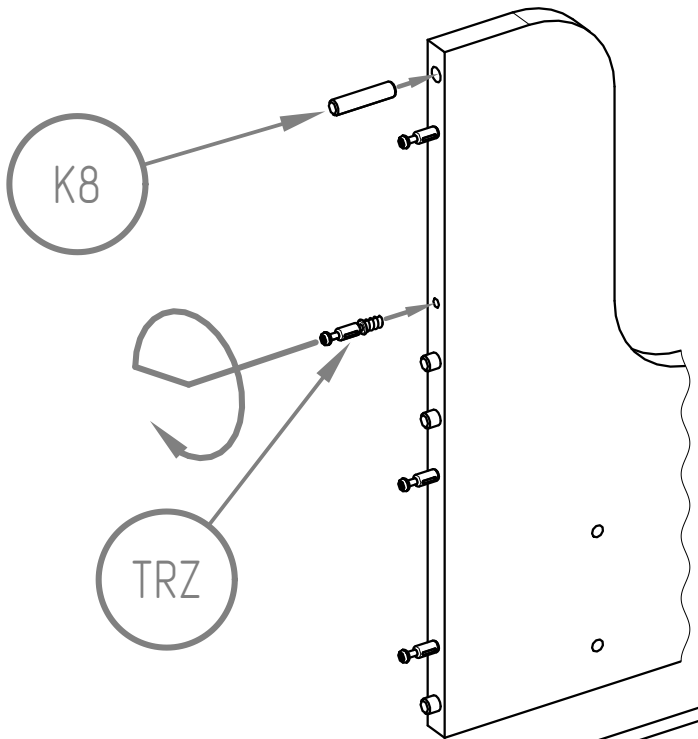
BDP

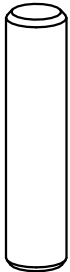
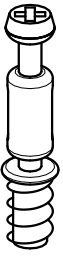


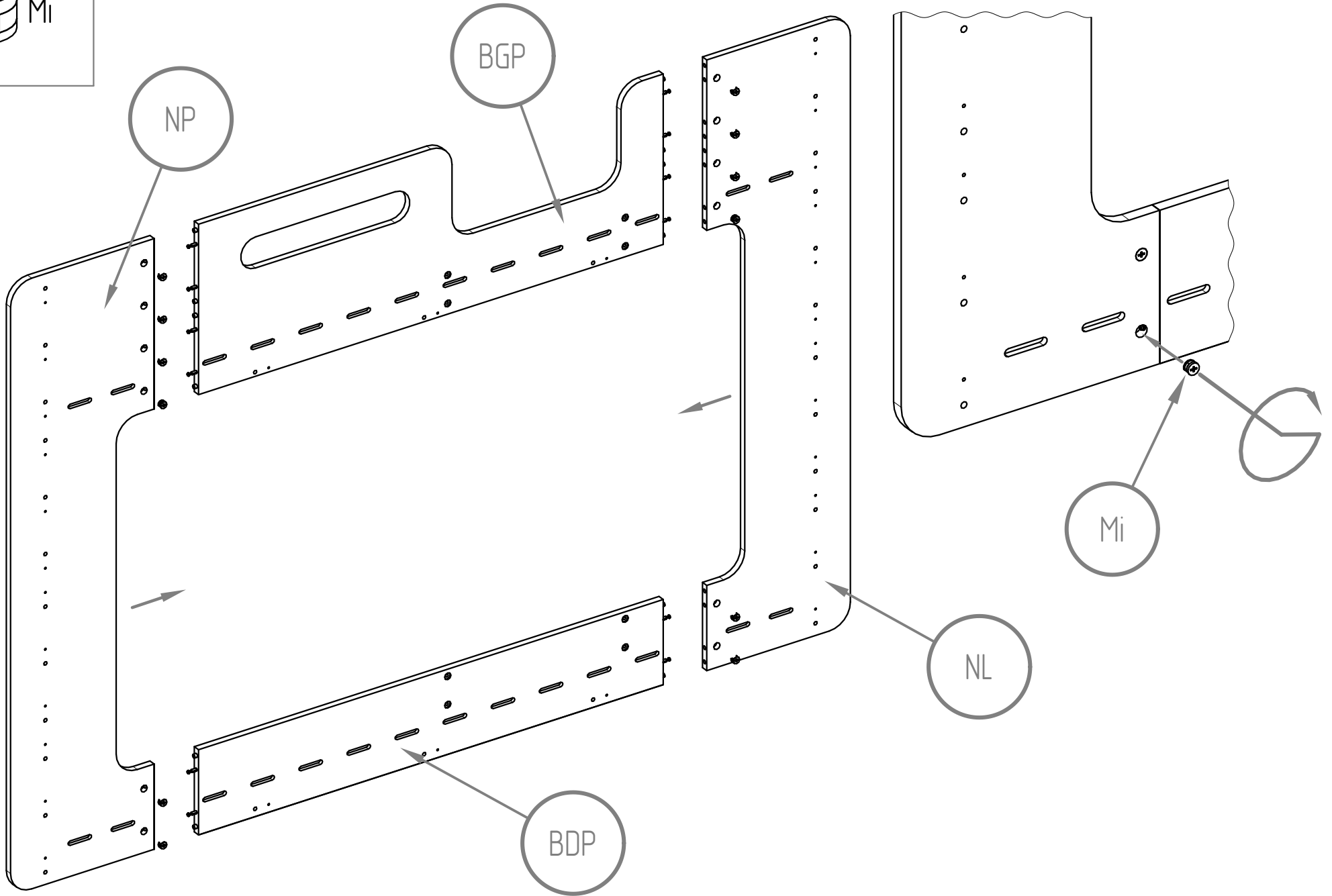
K8
M8X35



TRZ
M5X35



	K8	M8x35
	TRZ	M5x35



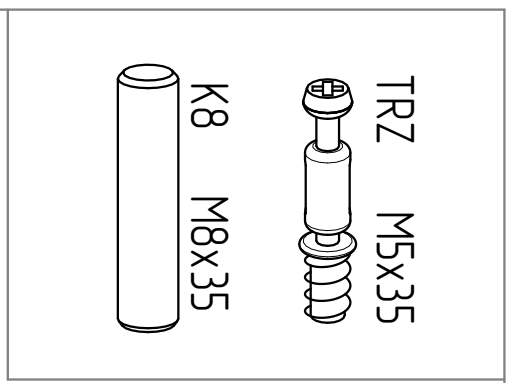
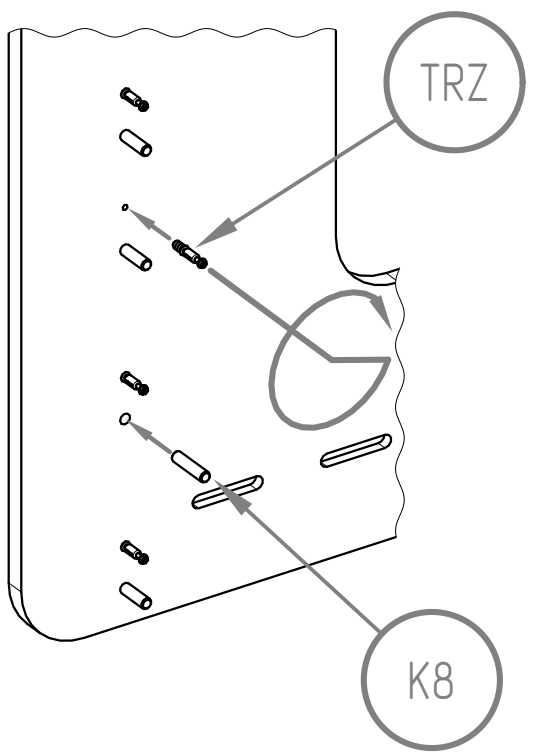
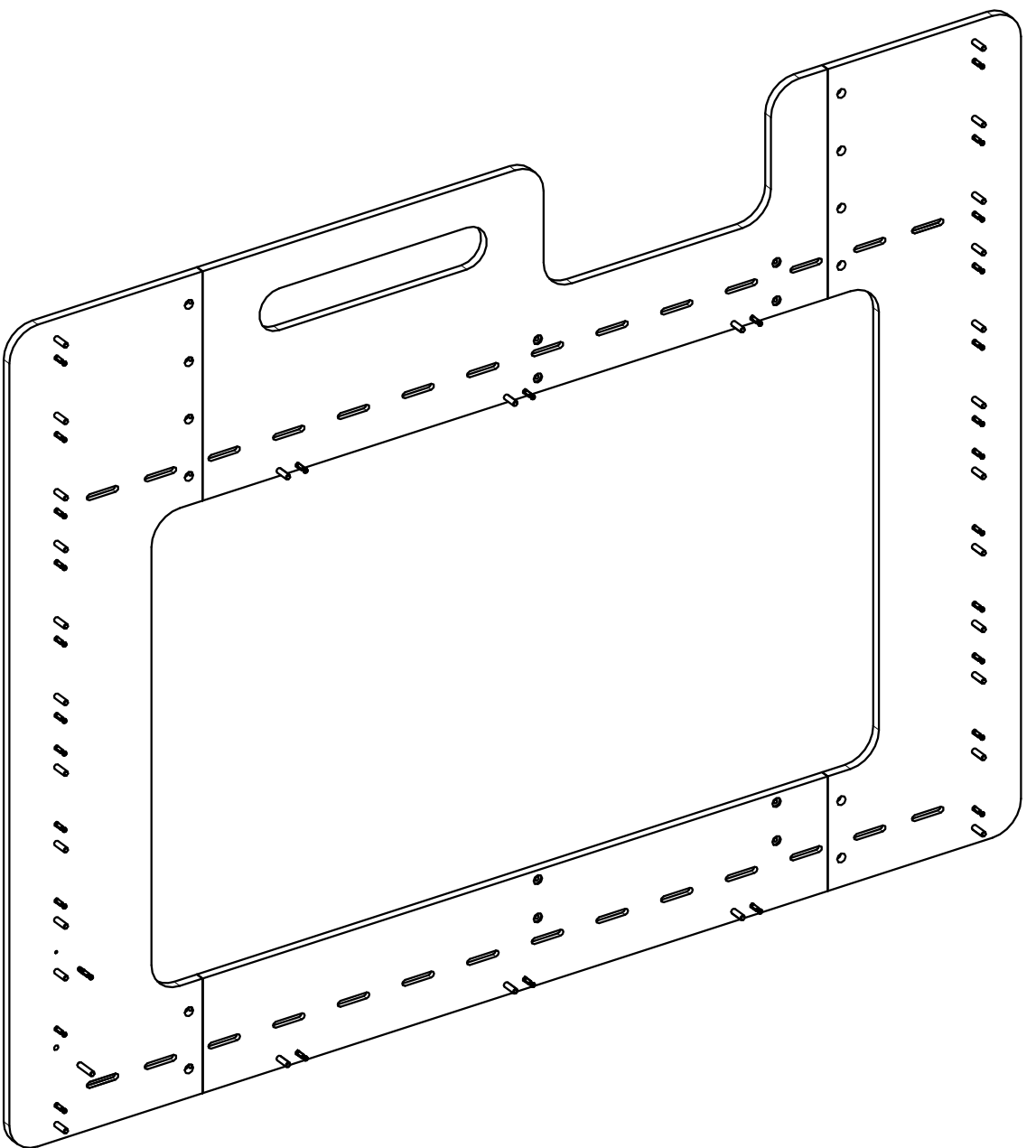
NP

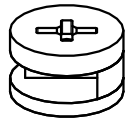
BGP

BDP

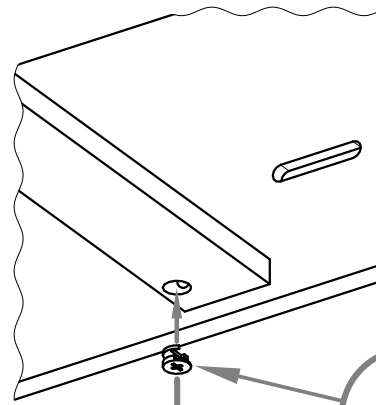
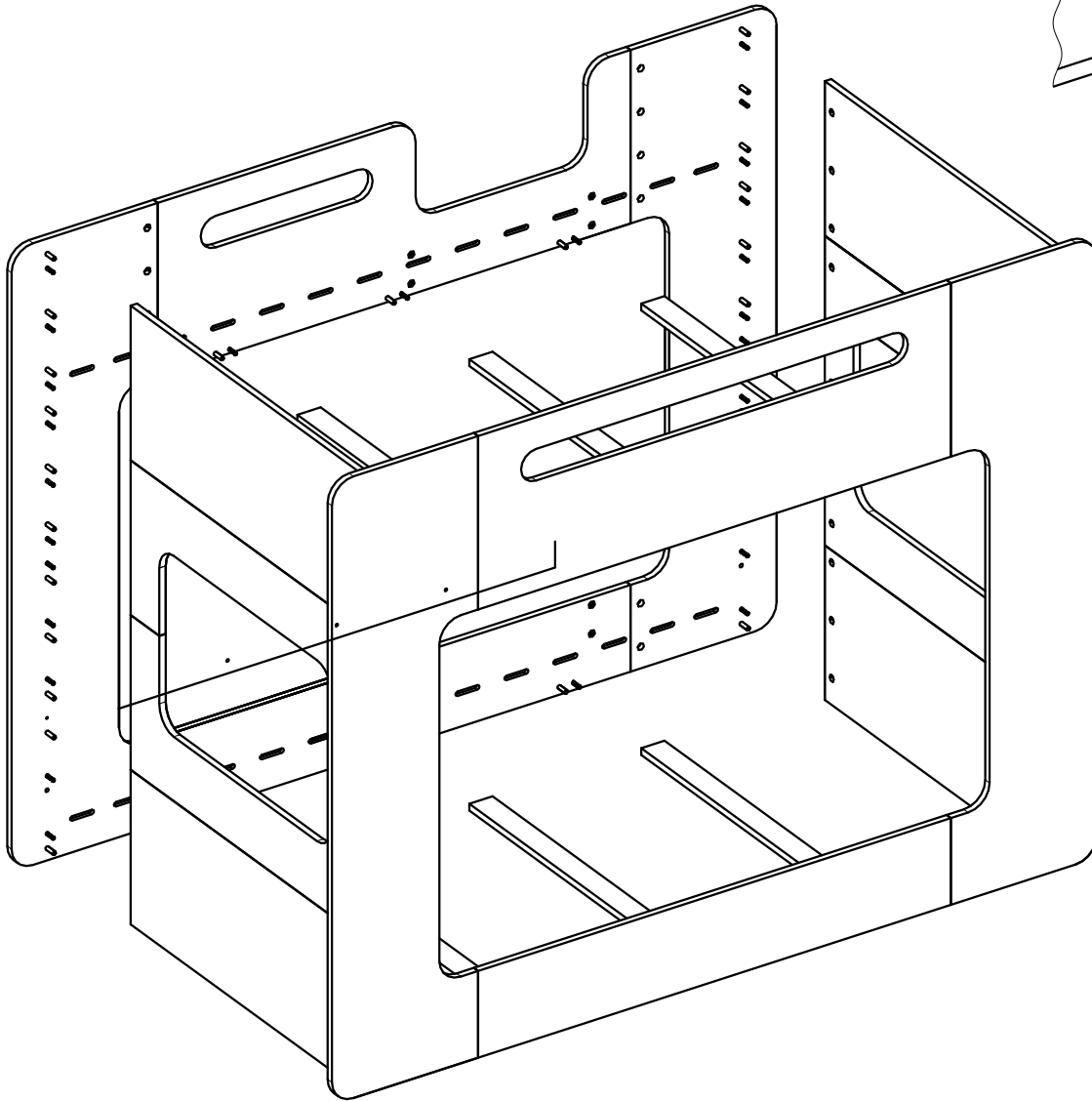
NL

Mi

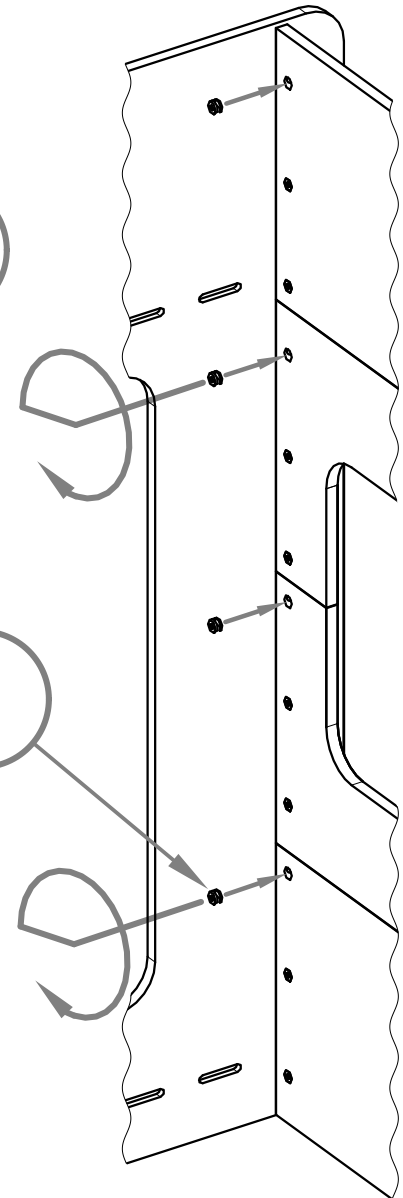




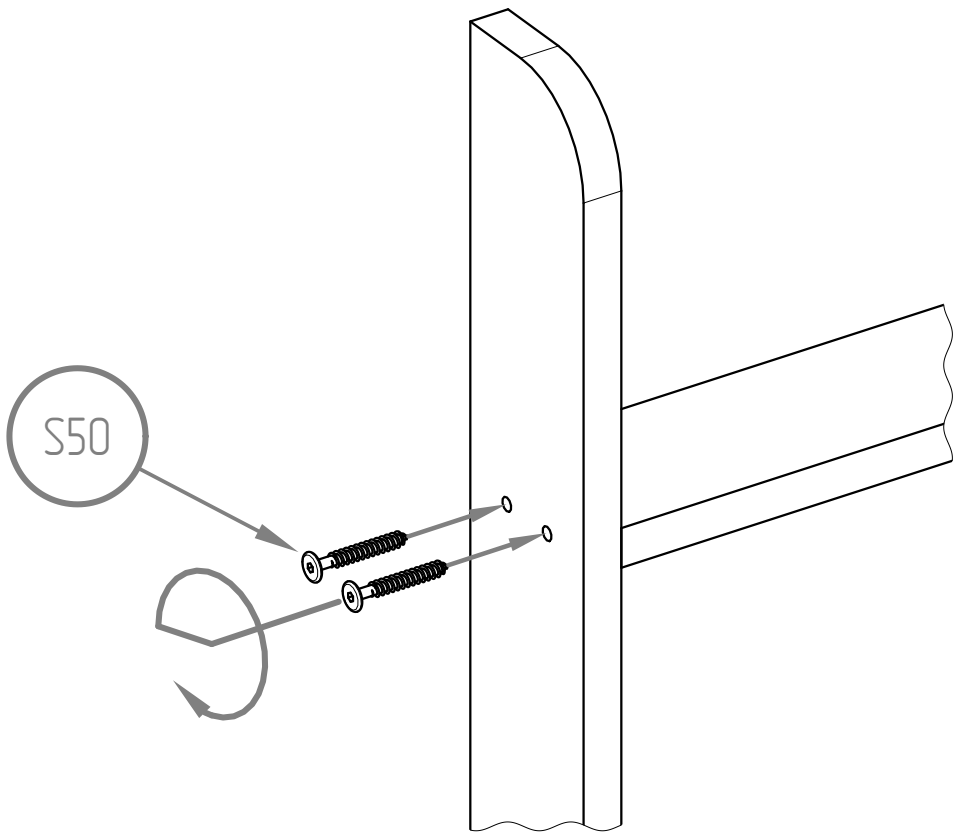
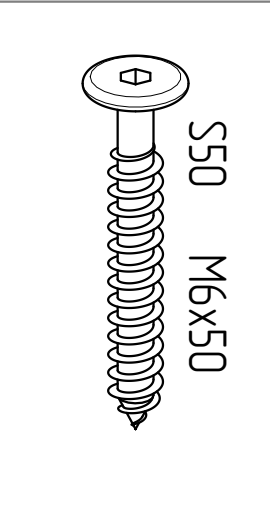
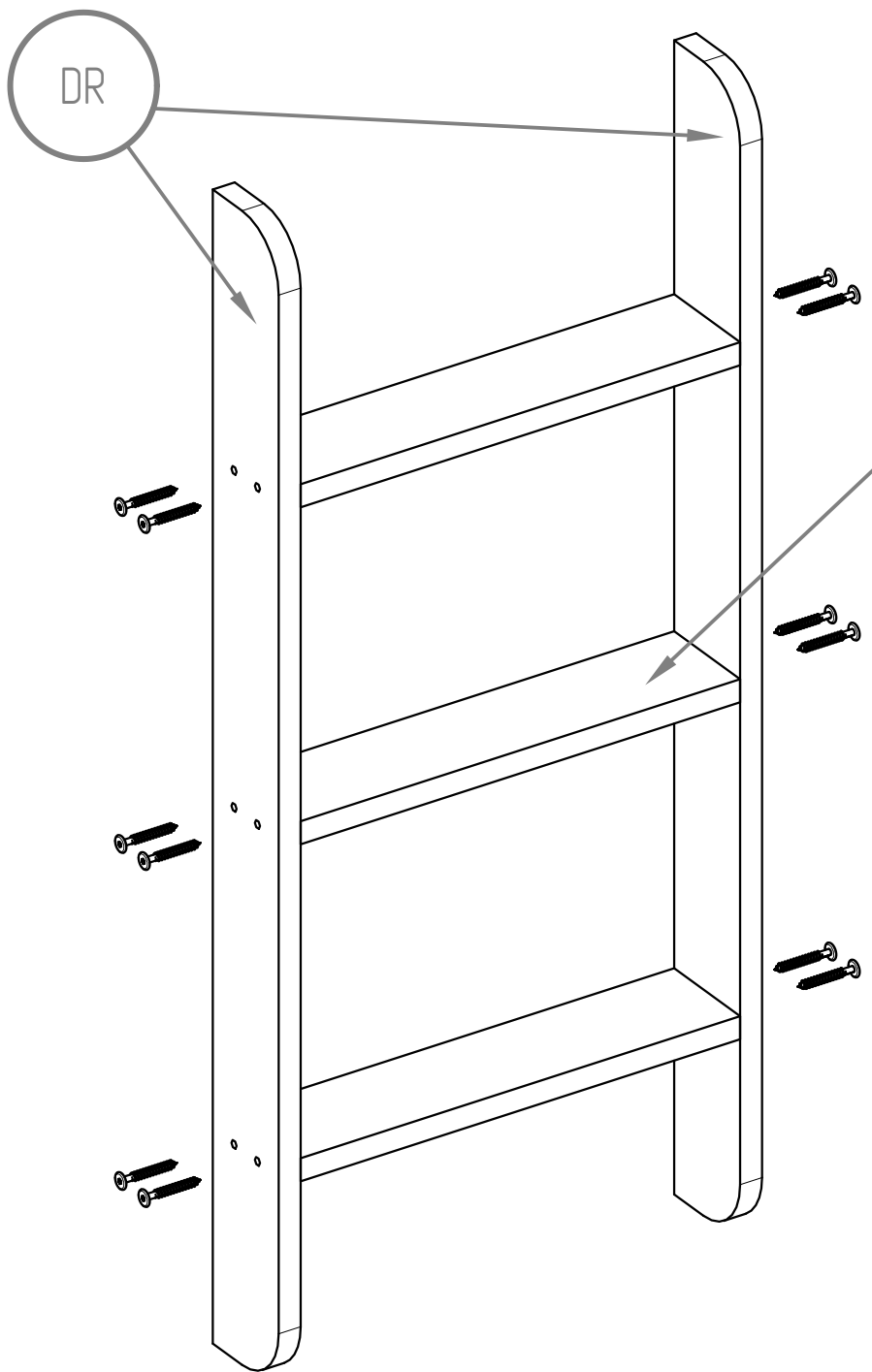
Mi

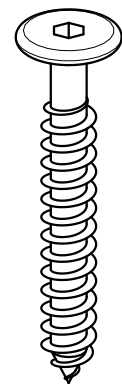
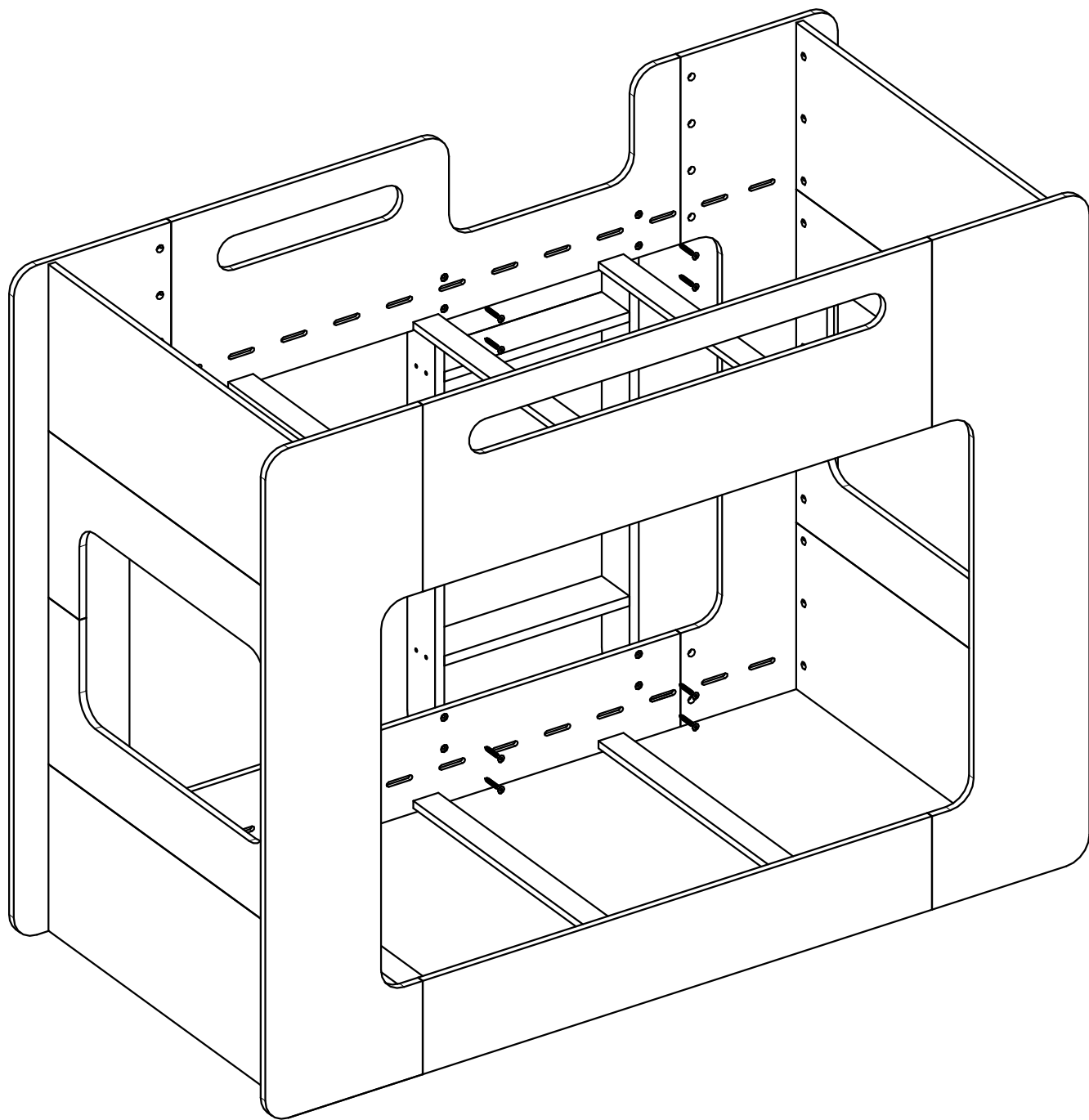


Mi

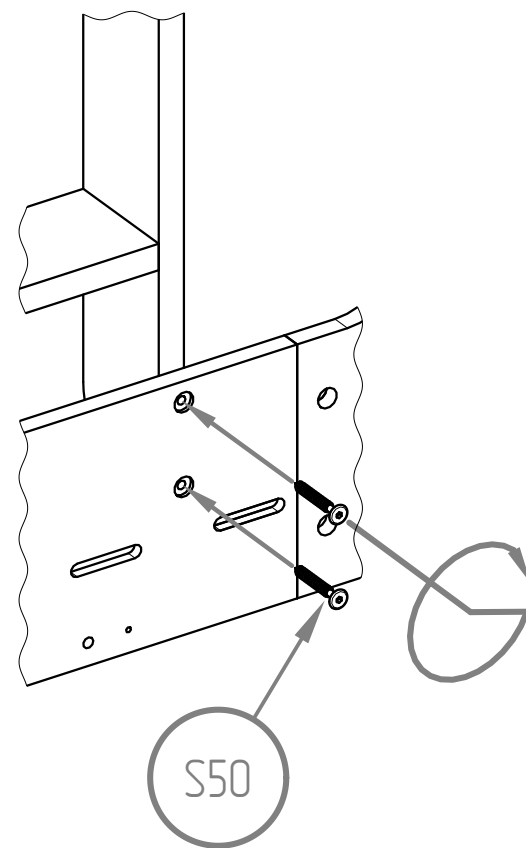


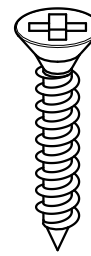
Mi



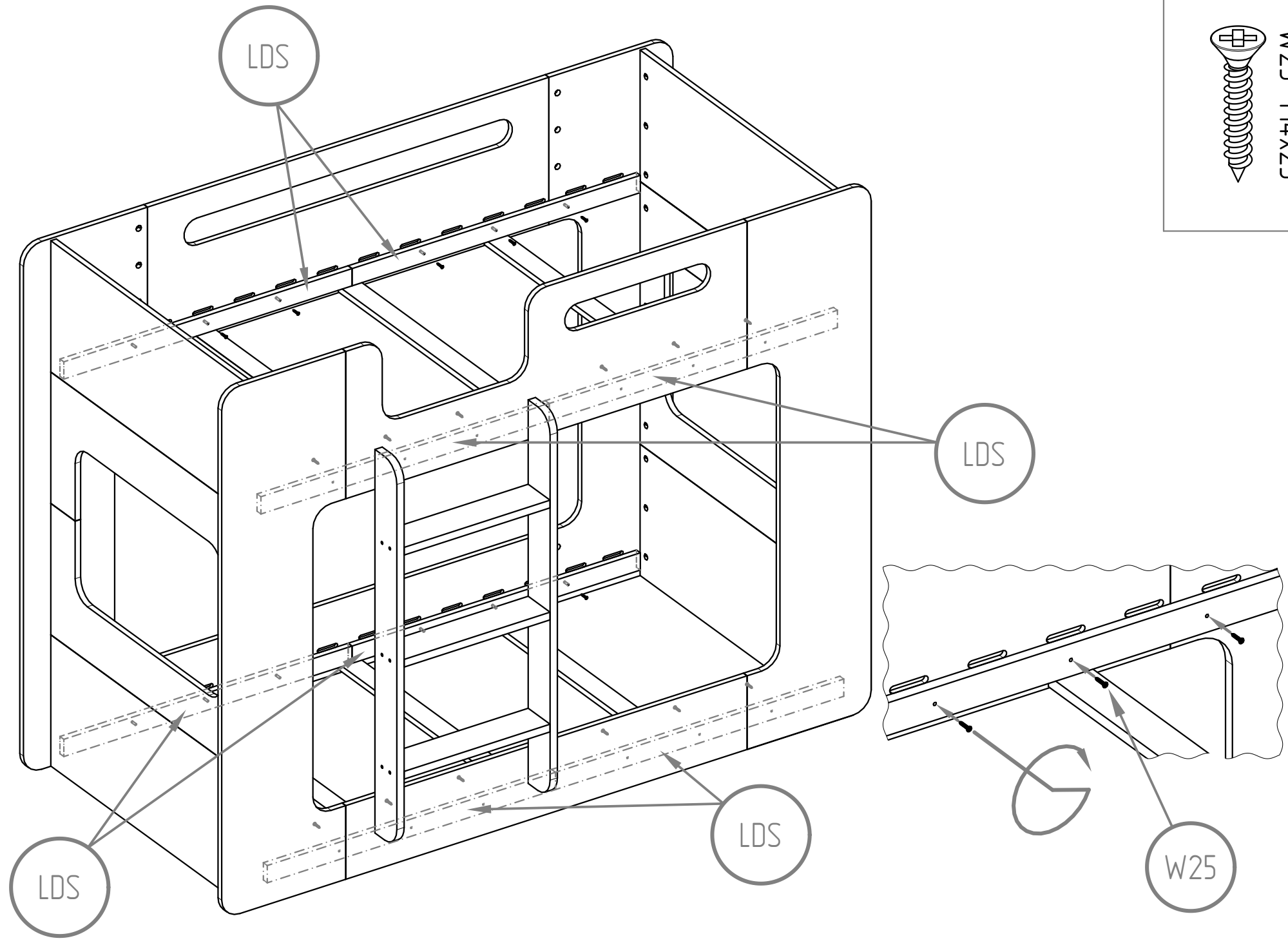


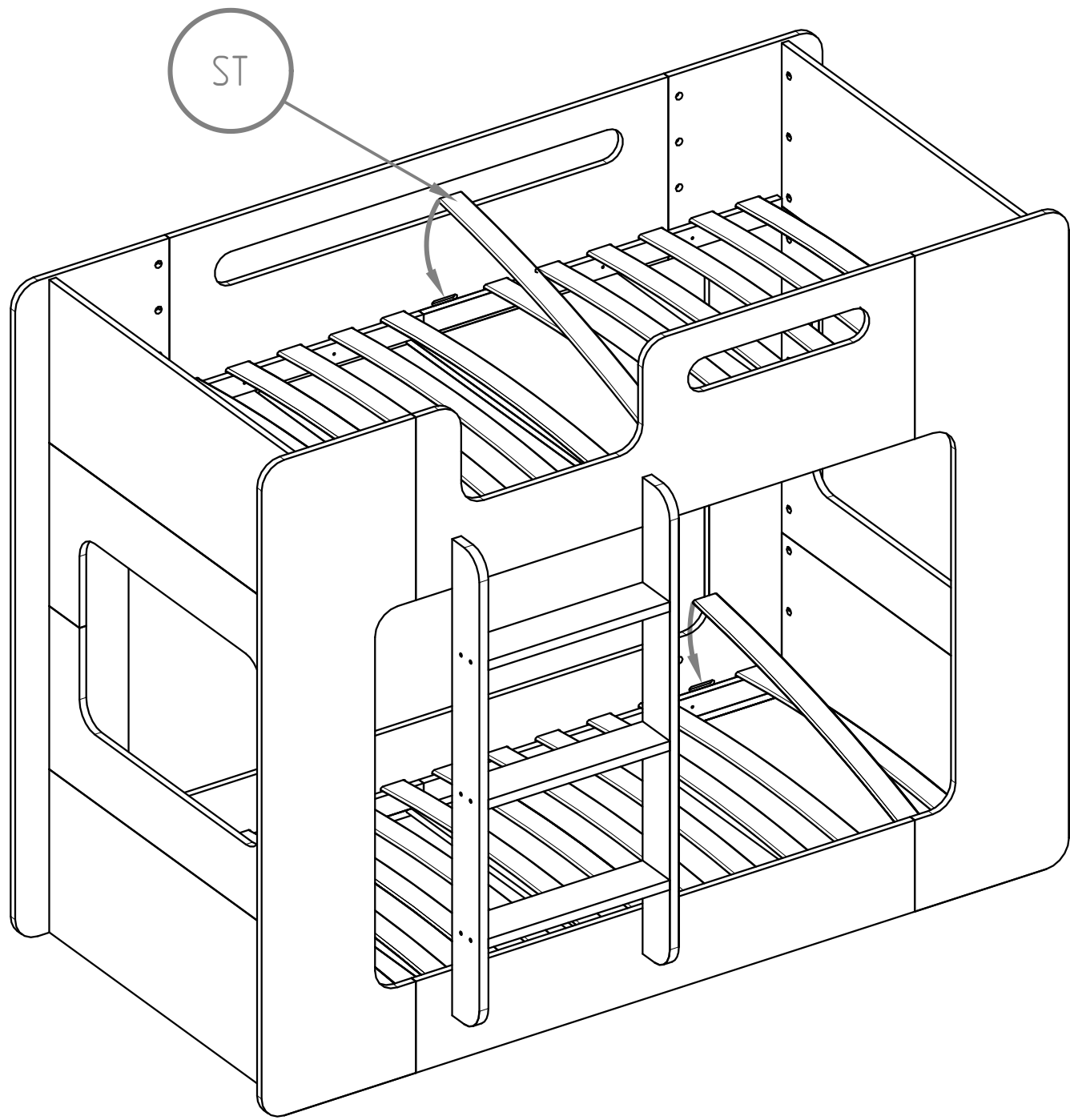
S50
M6x50





W25 M4x25





IMPORTANT



Beds are for sleeping,
not for jumping

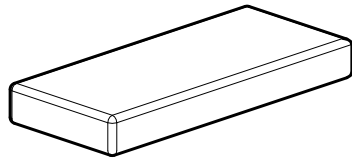
Prohibit more than
one person on bed



UPPER BED

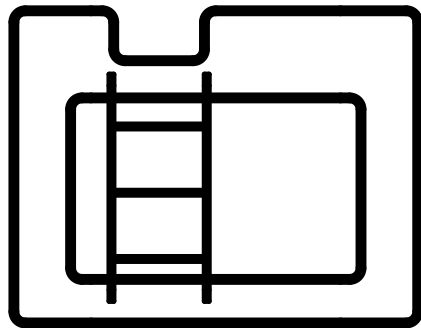


LOWER BED



Use only mattresses
with thickness of 8-12 cm

Bed parts have 2 years
warranty in normal use



Use the ladder to get in and out of the upper bed

Do not hang on structural elements

Design and execution in accordance with the standard

PN-EN 747-1+A1:2015-08

Wooden parts should be cleaned with a dry cloth and ordinary
mild detergents for the care and cleaning of wooden parts